

PRICE COMPUTING SCALES

Fast Customer Service



**PC-40L
MODEL**

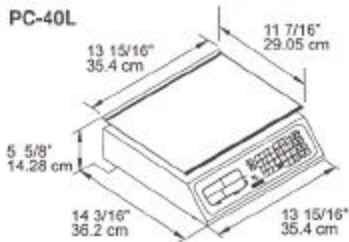
- More precise 40 lbs with 0.005 lb resolution.
- 15 direct access memory keys
- 100 price memories
- 1/2 & 1/4 lb keys
- Stainless steel construction
- Rechargeable Battery
- PC Compatible

Available
in Turret
Model

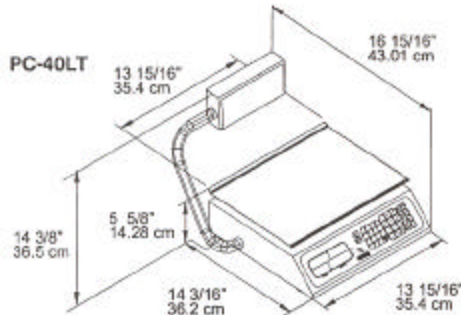


DIMENSIONS

PC-40L



8,000 Divisions
III class



EXPEDITES CUSTOMER SERVICE

The PC-40L scales are capable to store the price of the 100 more important products of your business, in the tower display model a visual guide can be added in order to have at the sight the memory code of each product. Also includes pre-pack function, speeding up some product packing operations.

15 direct access keys for a faster service



PC communication
Includes PC or printer interface through serial port RS-232



EASY TO OPERATE

The color coded keyboard allows basic and advanced operations for ease of use.

SPECIFICATIONS

| | PC-40L | PC-40LT |
|-----------------------|-------------------------------------|-----------------|
| Capacity | 40 lb | 40 lb |
| Minimum Division | 0.005 lb | 0.005 lb |
| Programmable memories | 100 memories | |
| Display | Alphanumeric Liquid Crystal Display | |
| Power Supply | 110 v/60 Hz 220 v /50 Hz Optional | |
| Battery | Rechargeable battery 200 hrs approx | |
| Car adapter | Optional | |
| Back light | Electroluminescent | |
| Plate | 29 x 38 cm (11 x 15") | |
| Maximum Tare | 20 lb | 20 lb |
| Maximum Price lb/max | 999.99 | |
| Maximum Price \$/max | 9999.99 | |
| Operation Temperature | -10 a 40 °C (14 a 104°F) | |
| Storage Temperature | -20 a 50°C (-4 a 122 °F) | |
| Net Weight | 20.5 lb/9.3 kg | 28.2 lb/12.8 kg |
| Gross Weight | 26.23 lb/11.9 kg | 33.5 lb/15.4 kg |



EASY-TO-READ DISPLAY

Because of its large alphanumeric liquid crystal display, with backlight to enhance visibility even in dark areas. The tower display model also has this feature.



PORTABLE

The PC-40L operates with an AC adapter or a long lasting rechargeable battery (200 hours approximately)
BATTERY INCLUDED



EASY TO CLEAN

Highly sanitary
Because of its stainless steel construction and its membrane keyboard it is very easy to clean and it is ideal for hygienic clean environments. (Non-waterproof)



BEST CHOICE

TORREY is the best choice because of its quality that fits international standards and its constant interest in keeping a full stock of parts to support the equipment on the field.

DISTRIBUTED BY



ALL INFORMATION IS SUBJECT TO CHANGE WITHOUT NOTICE

FBK0002-E

